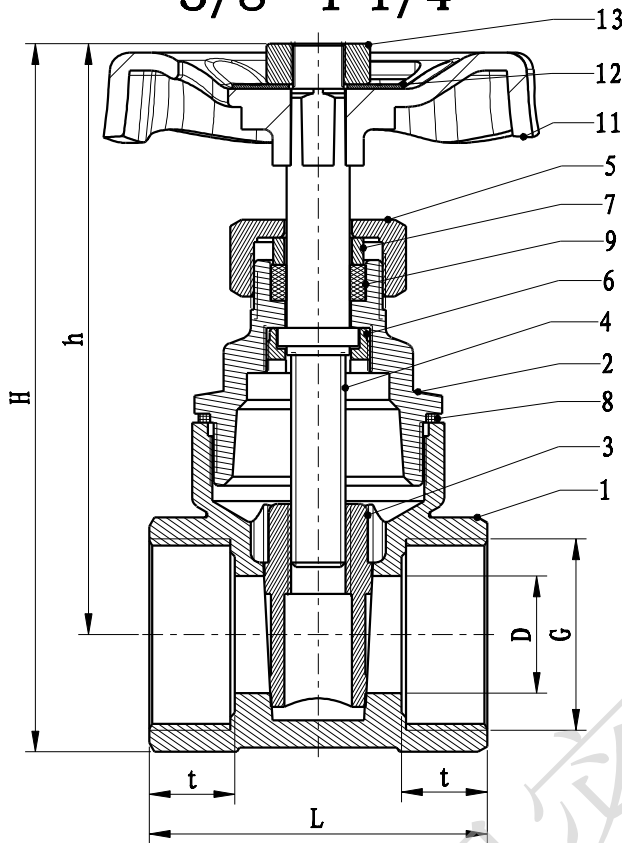
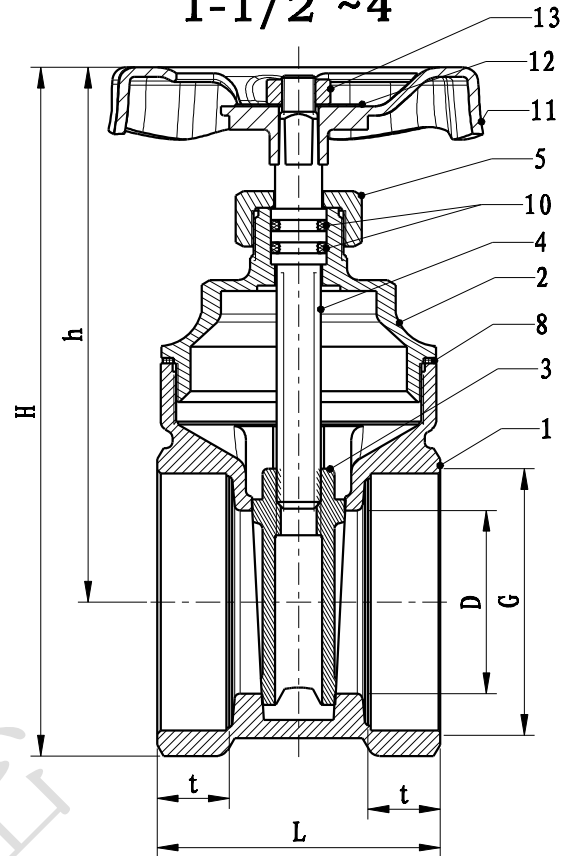


F601 GATE VALVE

3/8"~1-1/4"



1-1/2"~4"



装订线

No.	1	2	3	4	5	6	7	8	9	10	11	12	13
Component	Body	Bonnet	Wedge	Stem	Packing Nut	Lock Nut	Stem Ring	Washer	Packing Ring	O-ring	Handle	Washer	Nut
Material	Brass	Brass	Brass	Brass	Brass	Brass	Brass	Fiber	PTFE	NBR	Iron	Aluminum	Iron

bar (max)	10	10	10	10	10	10	10	10	10	16	16	16	
G	3/8"	1/2"	3/4"	1"	1-1/4"	1-1/2"	2"	2-1/2"	3"	4"			
D (mm)	12.5	13	15	19	26	33	42	60	68	93			
t (mm)	9.5	9.5	11	11	12.5	13.5	16	17	23	19			
L (mm)	37.5	37.5	41	44.5	50.5	51	61	66	84	80			
H (mm)	78.5	78.5	84	96	116	124	156	204	237	295			
h (mm)	65.5	65.5	67	76.5	90.5	96	119	159	185	227			

描校

旧底图号

Rev.	Revisions Rec.	Date



ZHEJIANG FDH
BRASS INDUSTRIAL CO.,LTD.

底图总号

Designed	Date	Range of Weight	Gross Weight
Checked			
Approved	Rev.	±2%	
Technics	0		

ASSEMBLES

F601 GATE VALVE

